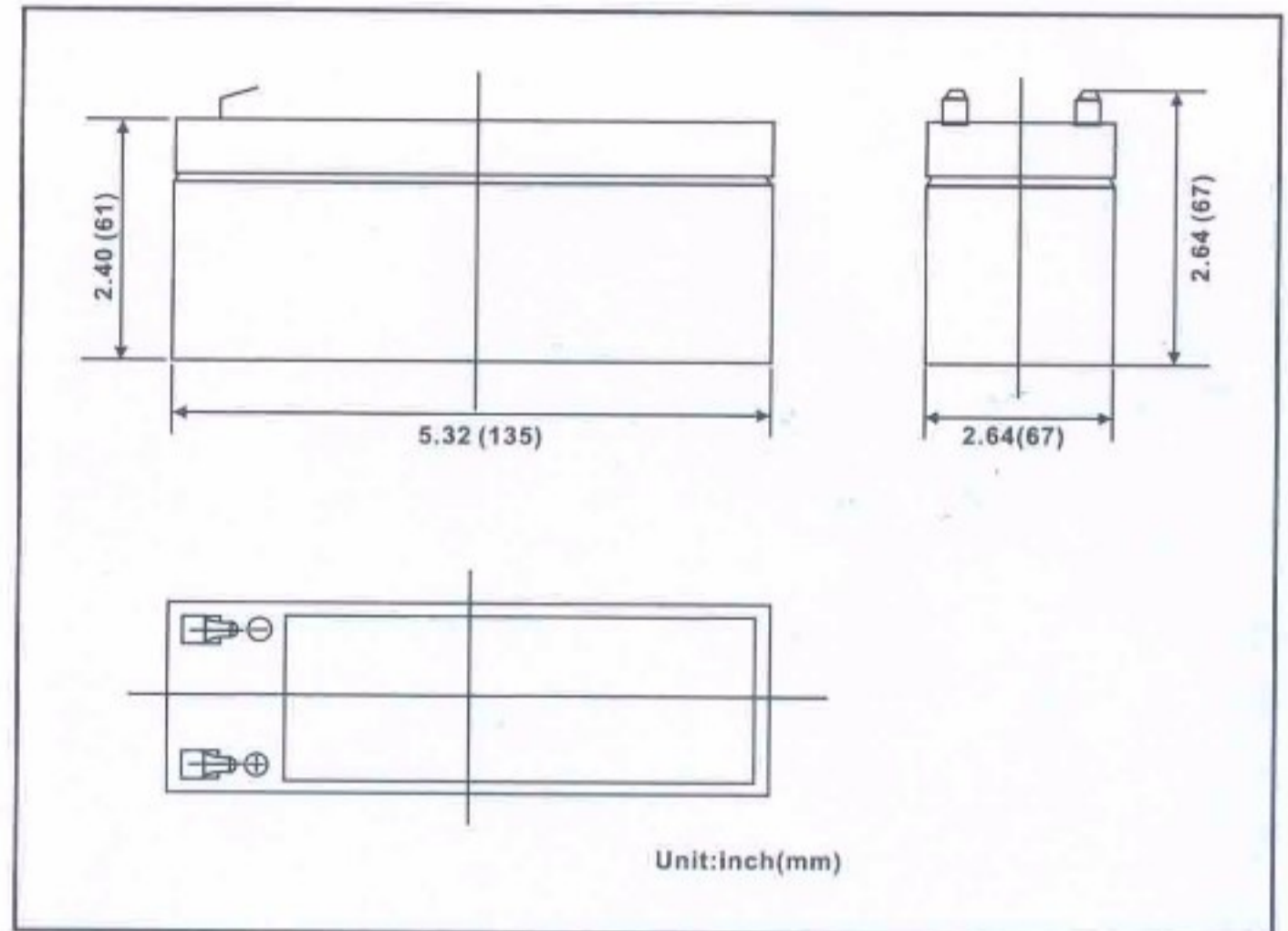
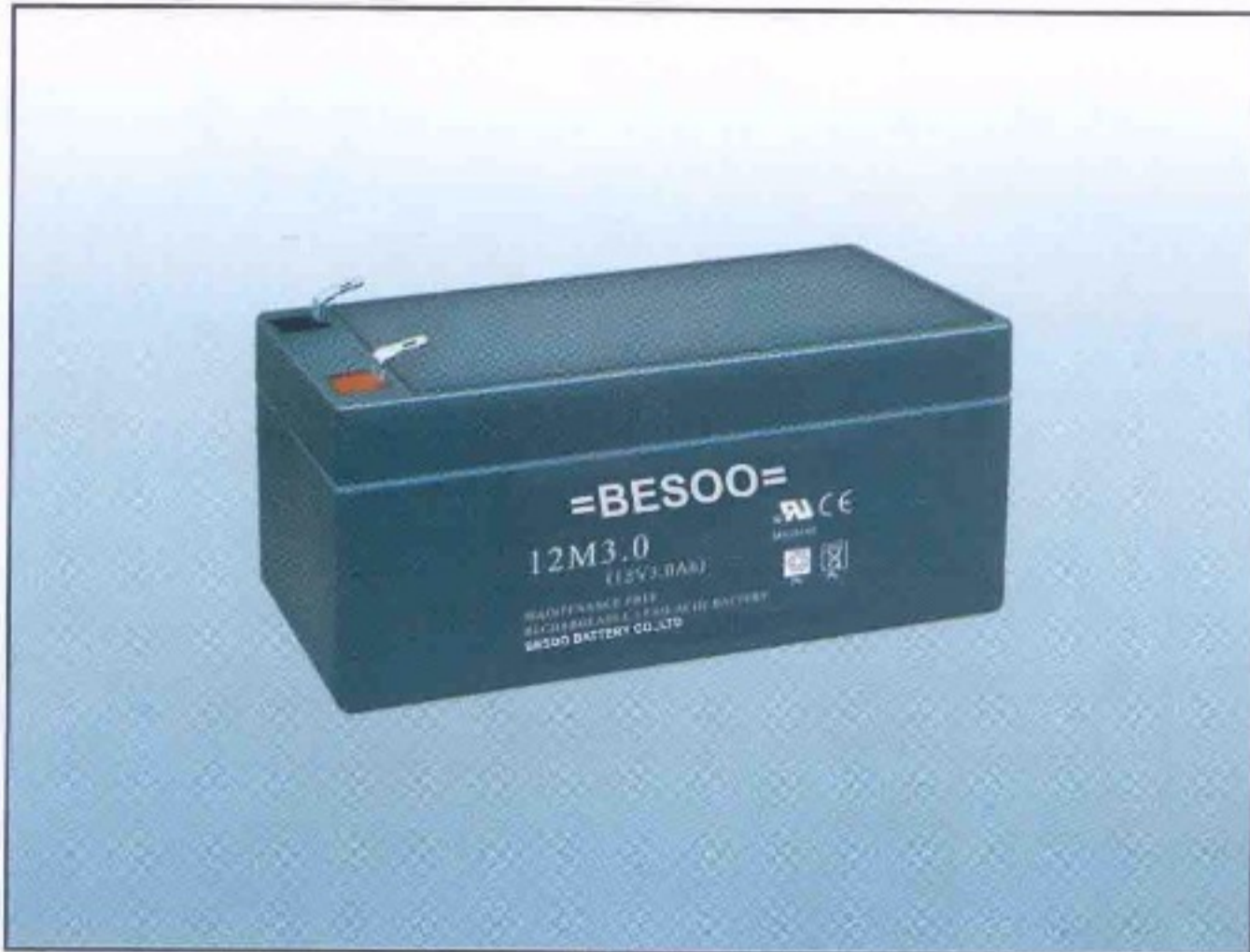


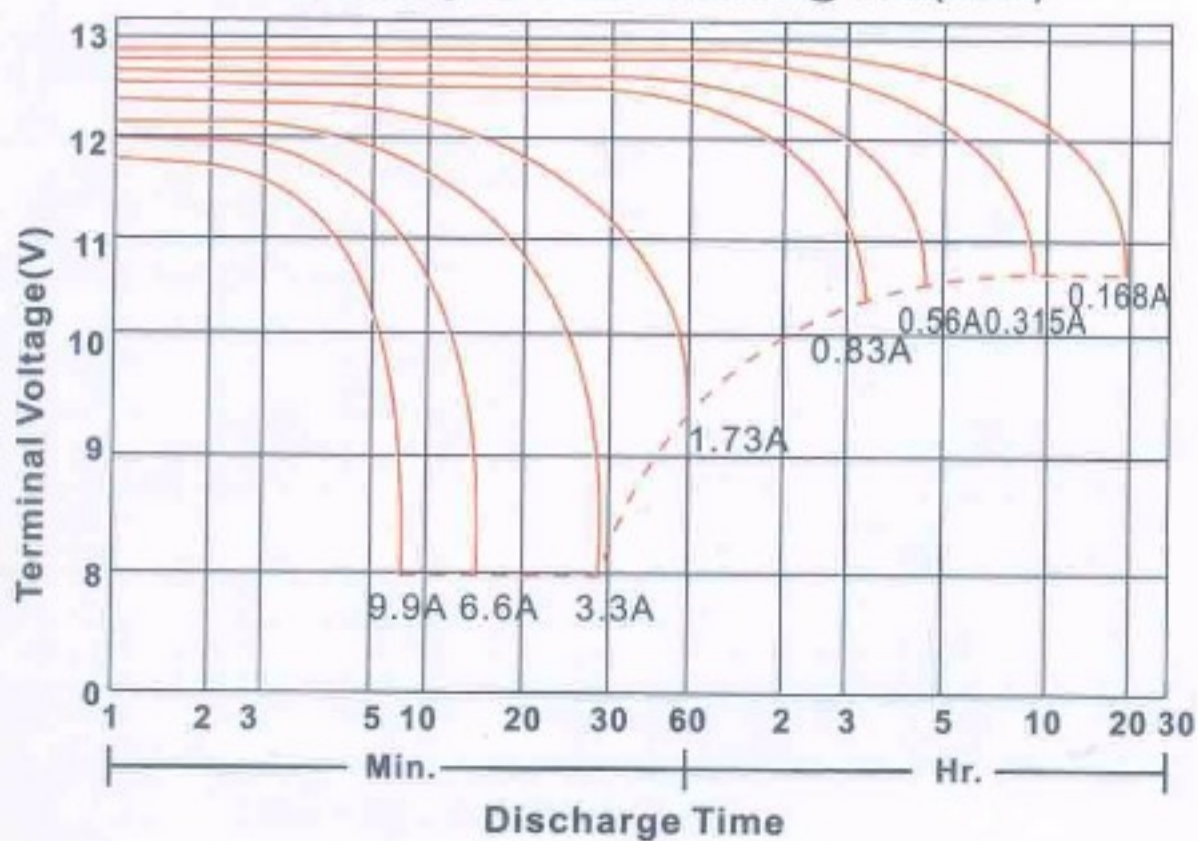
12M3.0



SPECIFICATIONS

| | | | | | |
|----------------------------------|--|--------------------|-------------------------|---|---|
| Nominal Voltage | | 12V | | | |
| Nominal Capacity | | 3.0Ah | | | |
| Dimensions | Length | 5.32 inches(135mm) | | Weight | Approx 2.86lbs (1300g) |
| | Width | 2.64 inches(67mm) | | | |
| Dimensions | Height | 2.40 inches(61mm) | | Terminals | F1(standard) |
| | Total Height | 2.64 inches(67mm) | | | |
| Capacity 77°F(25°C) | 20 hour rate(168mA) | 3.3 Ah | Constant Voltage Charge | Cycle | Initial Charging Current less than 1.0A Voltage 14.5-14.9V at 77°F(25°C)Temp.coefficient -30mv/°C |
| | 10 hour rate(315mA) | 3.1 Ah | | | |
| | 5 hour rate(640mA) | 2.6 Ah | | | |
| | 1 hour rate(170mA) | 2.1 Ah | | | |
| | 15 minute rate(5.94A) | 1.4 Ah | | | |
| Capacity affected by Temperature | 104°F(40°C) | 102% | Standby | Initial Charging Current less than 1.0A Voltage 13.50-13.80V at 77°F(25°C)Temp.coefficient -20mv/°C | |
| | 77°F(25°C) | 100% | | | |
| | 32°F(0°C) | 85% | | | |
| | 5°F(-15°C) | 65% | | | |
| Internal Resistance | Full charged battery 77°F(25°C) < 42mΩ | | | | |

Discharge Characteristics @ 77°F(25°C)



Discharge Time Vs. Discharge current

