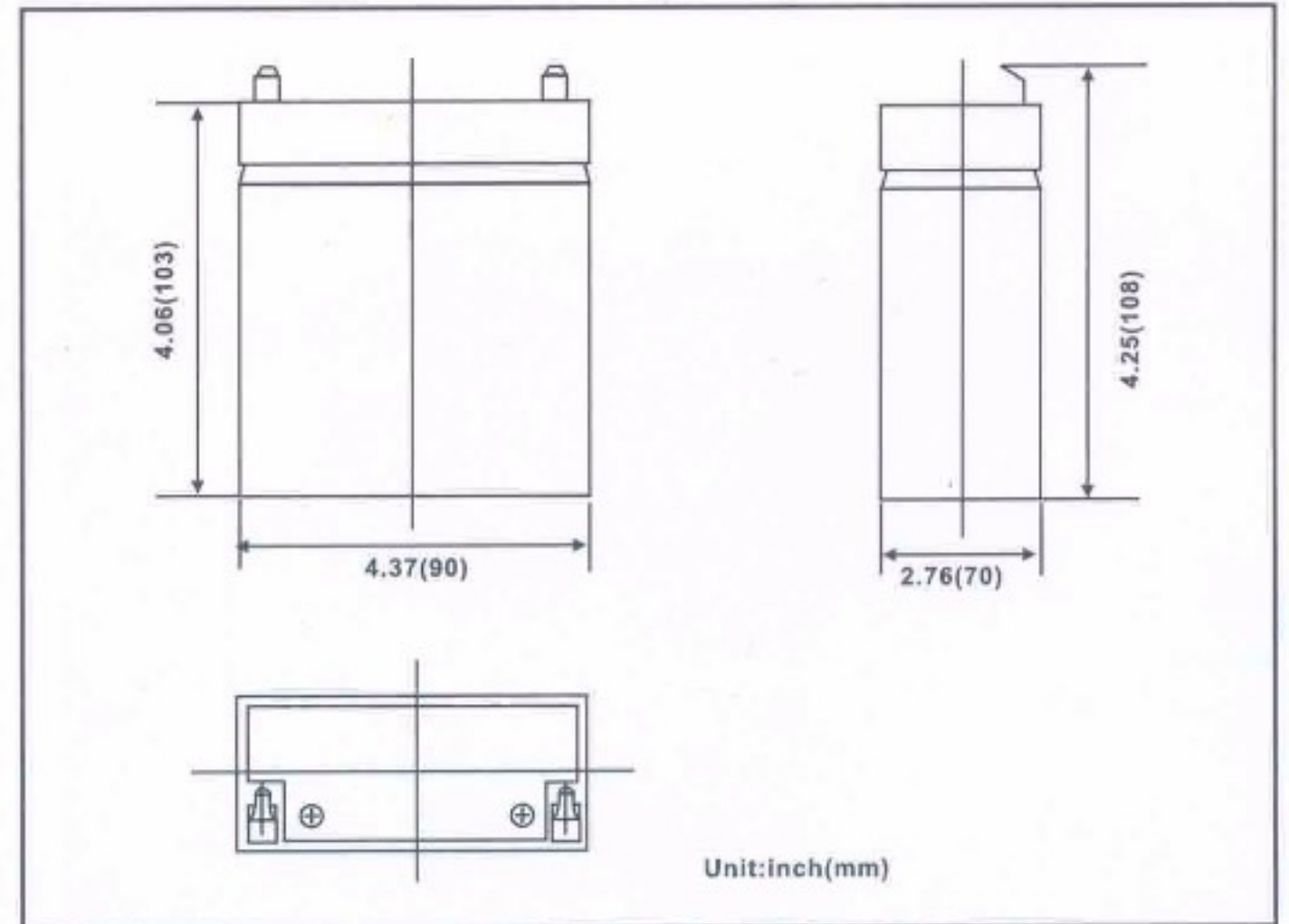


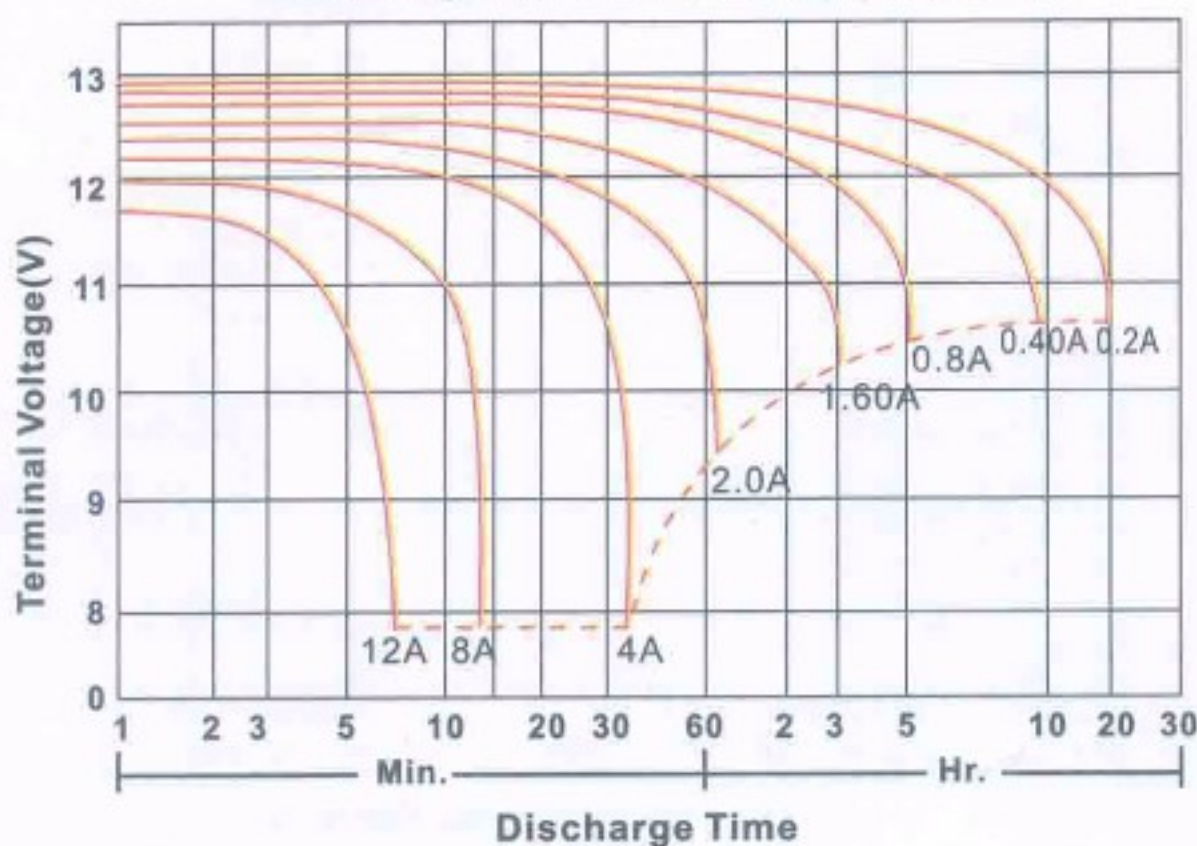
12M4.0



SPECIFICATIONS

Nominal Voltage		12V				
Nominal Capacity		4.0Ah				
Dimensions	Length	4.37 inches(90mm)		Weight	Approx 3.36lbs (1520g)	
	Width	2.76 inches(70mm)				
	Height	4.06 inches(103mm)		Terminals	F2(standard)	
	Total Height	4.25 inches(108mm)			F1(optional)	
Capacity 77°F(25°C)	20 hour rate(200mA)	4.0 Ah		Constant Voltage Charge	Cycle	Initial Charging Current less than 1.2A Voltage 14.5-14.9V at 77°F(25°C)Temp.coefficient -30mv/°C
	10 hour rate(376mA)	3.7 Ah				
	5 hour rate(640mA)	3.2 Ah				
	1 hour rate(272mA)	2.7 Ah				
	15 minute rate(7.0A)	1.7 Ah				
Capacity affected by Temperature	104°F(40°C)	102%		Standby	Initial Charging Current less than 1.2A Voltage 13.50-13.80V at 77°F(25°C)Temp.coefficient -20mv/°C	
	77°F(25°C)	100%				
	32°F(0°C)	85%				
	5°F(-15°C)	65%				
Internal Resistance	Full charged battery 77°F(25°C) < 35mΩ					

Discharge Characteristics @ 77°F(25°C)



Discharge Time Vs. Discharge current

