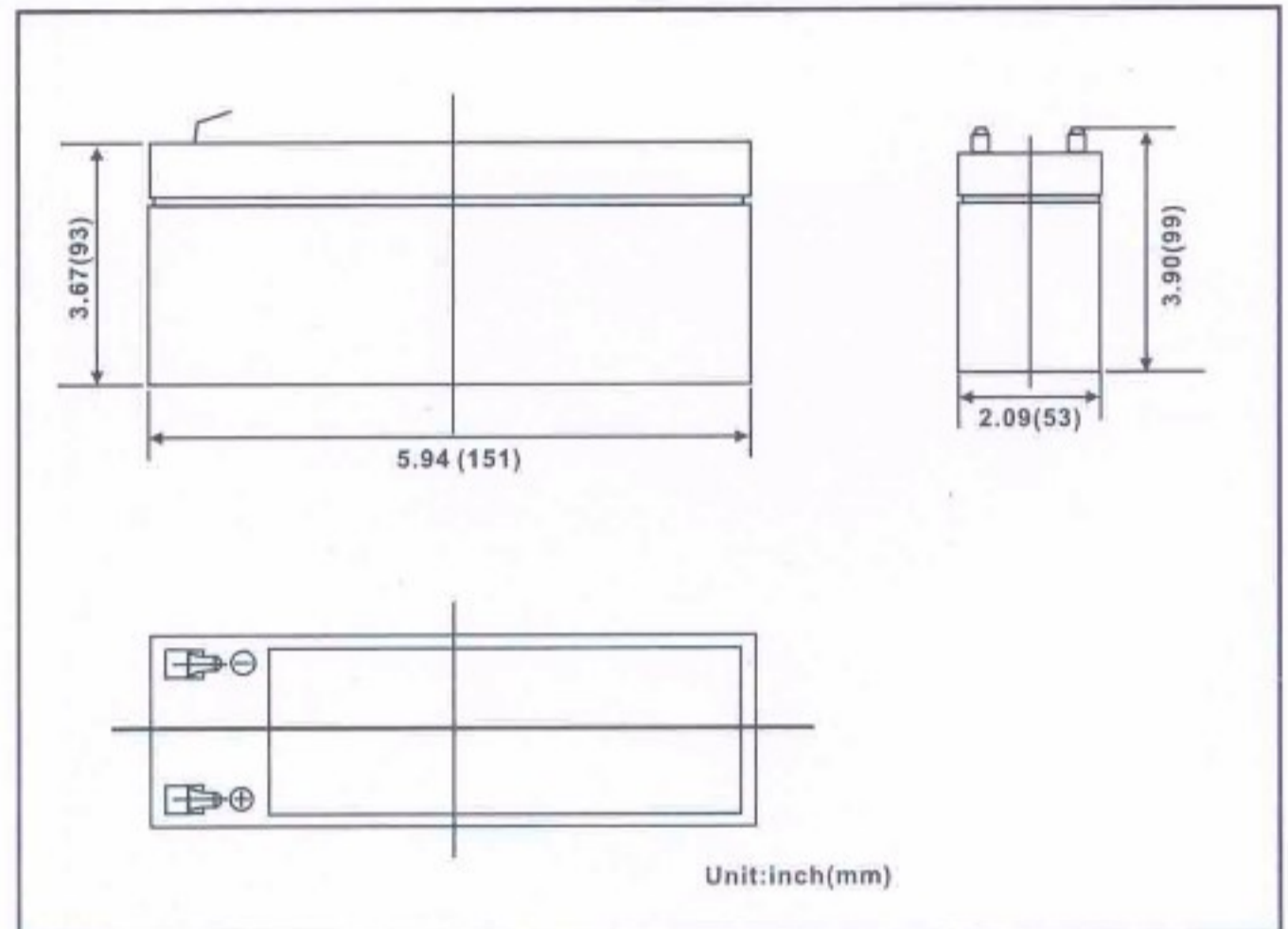


# 12M5.0



## SPECIFICATIONS

<b>Nominal Voltage</b>		<b>12V</b>			
<b>Nominal Capacity</b>		<b>5.0Ah</b>			
<b>Dimensions</b>	<b>Length</b>	5.94 inches(151mm)		<b>Weight</b>	Approx 4.20lbs (1900g)
	<b>Width</b>	2.09 inches(53mm)			
	<b>Height</b>	3.67 inches(93mm)		<b>Terminals</b>	F2(standard)
	<b>Total Height</b>	3.90 inches(99mm)			
<b>Capacity</b> 77°F(25°C)	20 hour rate(250mA)	5.0 Ah	<b>Constant Voltage Charge</b>	<b>Cycle</b>	Initial Charging Current less than 1.5A Voltage 14.5-14.9V at 77°F(25°C)Temp.coefficient -30mv/°C
	10 hour rate(477mA)	4.7 Ah			
	5 hour rate(822mA)	4.1 Ah			
	1 hour rate(3400mA)	3.5 Ah			
	15 minute rate(9.71A)	2.4 Ah			
<b>Capacity affected by Temperature</b>	104°F(40°C)	102%	<b>Standby</b>	Initial Charging Current less than 1.5A Voltage 13.50-13.80V at 77°F(25°C)Temp.coefficient -20mv/°C	
	77°F(25°C)	100%			
	32°F(0°C)	85%			
	5°F(-15°C)	65%			
<b>Internal Resistance</b>	Full charged battery 77°F(25°C) < 25mΩ				

