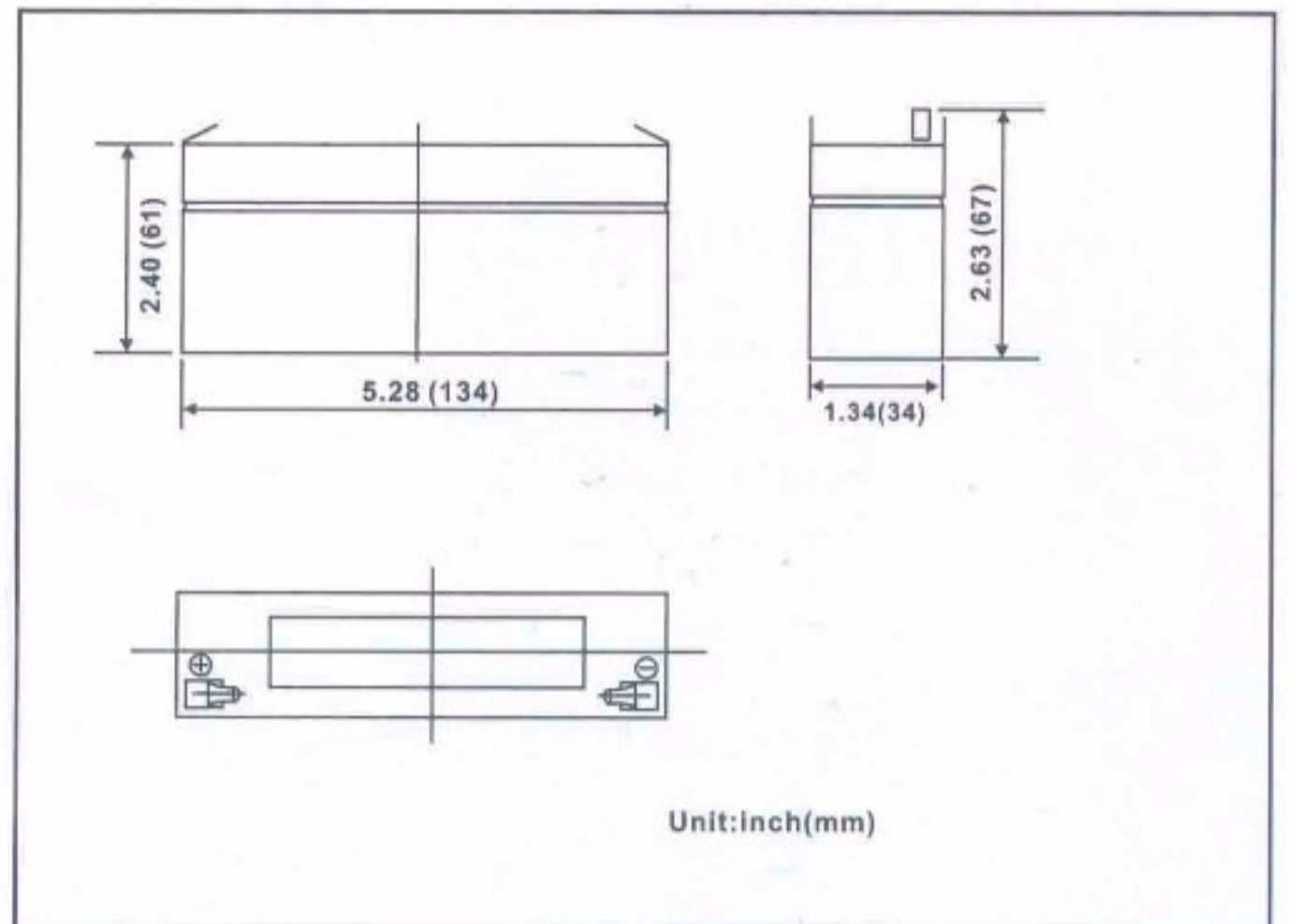


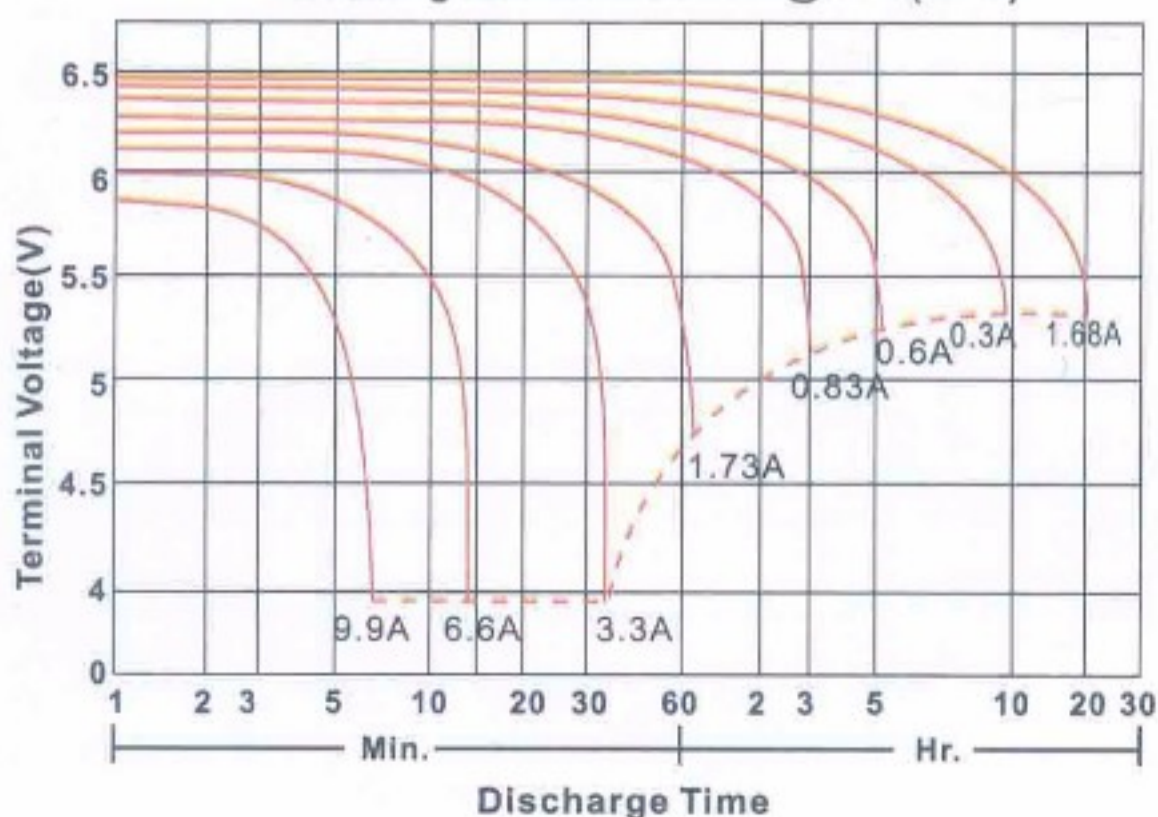
6M3.0



SPECIFICATIONS

Nominal Voltage		6V			
Nominal Capacity		3.0Ah			
Dimensions	Length	5.28 inches(134mm)		Weight	Approx 1.44lbs (650g)
	Width	1.34 inches(34mm)			
	Height	2.40 inches(61mm)		Terminals	F1(standard)
	Total Height	2.63 inches(67mm)			
Capacity 77°F(25°C)	20 hour rate(168mA)	3.3 Ah	Constant Voltage Charge	Cycle	Initial Charging Current less than 0.9A Voltage 7.25-7.45V at 77°F(25°C)Temp.coefficient -15mv/°C
	10 hour rate(300mA)	3.0 Ah			
	5 hour rate(536mA)	2.6 Ah			
	1 hour rate(2280mA)	2.2 Ah			
	15 minute rate(8.72A)	1.4 Ah			
Capacity affected by Temperature	104°F(40°C)	102%	Standby	Initial Charging Current less than 0.9A Voltage 6.75-6.9V at 77°F(25°C)Temp.coefficient -10mv/°C	
	77°F(25°C)	100%			
	32°F(0°C)	85%			
	5°F(-15°C)	65%			
Internal Resistance	Full charged battery 77°F(25°C) < 22mΩ				

Discharge Characteristics @ 77°F(25°C)



Discharge Time Vs. Discharge current

