

ROBUSTE GEL SOLAR BATTERY

GEL12V100AH

CHARACTER

Rate Voltage		12V
Capacity(10 h)		100Ah
Capacity 25°C(77°F)	10 hour(10A)	100Ah
	3 hour (25A)	75Ah
	1 hour (55A)	55Ah
Resistance	Fully charge 25°C(77°F)	≤2.9m Ω
Cycle life	50%(C ₁₀) Discharge	600 cycle
Float charge life	25°C(77°F)Float charge V 13.8V	5 years
Temperature and capacity (10 hour rate)	40°C (104°F)	102%
	25°C (77°F)	100%
	0°C (32°F)	85%
	-15°C (5°F)	75%
Self-discharge 25°C(77°F)	Capacity after 3 months	90%
	Capacity after 6 months	80%
	Capacity after 12 months	70%
Charging 25°C (77°F)	Cycle charge	Initial current less than 25A Fix Voltage 14.4-15.0V
	Float charge	Fix Voltage 13.5-13.8V

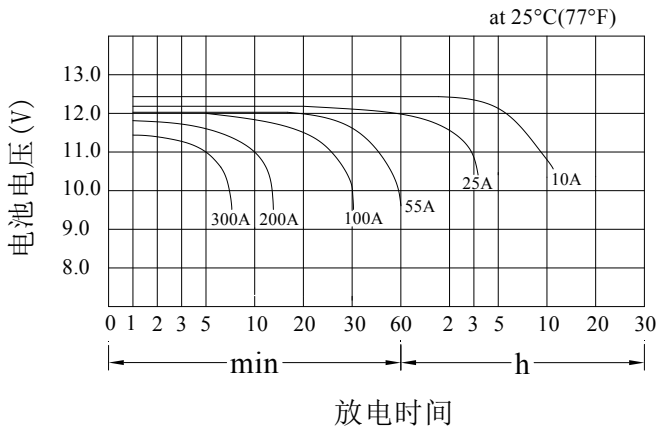
PHOTO



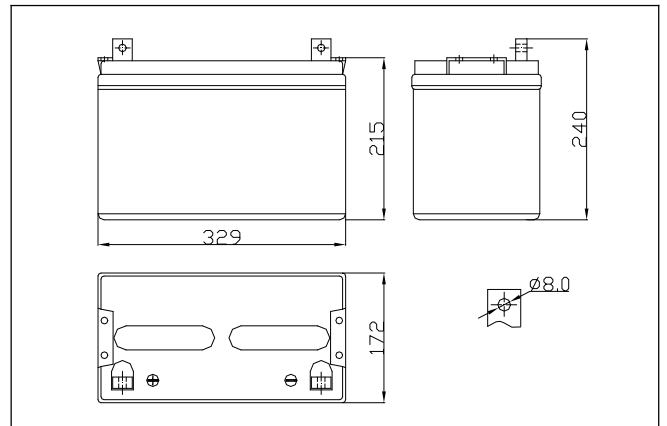
PACKAGE DETAILS

Battery (L×W×H)	mm±1	330×173×222
	Inch	13.0×6.78×9.45
Carton (L×W×H)	mm±2	352×196×272
	Inch	13.9×7.72×10.7
PCS/CTN		1 PCS

DISCHARGE



DIAMENISIONS



MATERIAL

Component	Positive plate	Negative plate	Battery case	Valve	Terminal	Separator	Electrolyte
material	PbO ₂	Pb	ABS	Rubber	Copper	AGM	Silica Gel

DISCHARGE CHARACTER

Voltage	Working time(Fix Rate discharge character 25°C 77°F)										
	3Min	5Min	15Min	30Min	45Min	1Hour	2Hour	3Hour	5Hour	8Hour	10Hour
9.6 V	4370	3800	2150	1380	1030	746	420	315	210	140	124
10.2V	4200	3250	1930	1230	990	736	405	310	208	138	123
10.5V	3850	3080	1820	1120	970	724	390	305	205	136	121
10.8V	3520	2930	1580	1000	940	710	380	290	195	135	120