

ROBUSTE GEL SOLAR BATTERY

GEL12V150AH

CHARACTER

Rate Voltage		12V
Capacity(10 h)		150Ah
Capacity 25°C(77°F)	10 hour(10A)	150Ah
	3 hour (25A)	112.5Ah
	1 hour (55A)	82.5Ah
Resistance	Fully charge 25°C(77°F)	≤3m Ω
Cycle life	50%(C ₁₀) Discharge	600 次
Float charge life	25°C(77°F)Float charge V 13.8V	5 years
Temperature and capacity (10 hour rate)	40°C (104°F)	102%
	25°C (77°F)	100%
	0°C (32°F)	85%
	-15°C (5°F)	65%
Self-discharge 25°C(77°F)	Capacity after 3 months	95%
	Capacity after 6 months	85%
	Capacity after 12 months	65%
Charging 25°C (77°F)	Cycle charge	Initial current less than 37.5A Fix Voltage 14.4-15.0V
	Float charge	Fix Voltage 13.5-13.8V

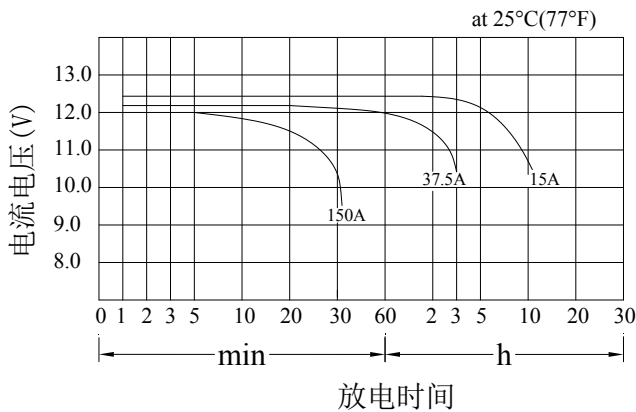
PHOTO



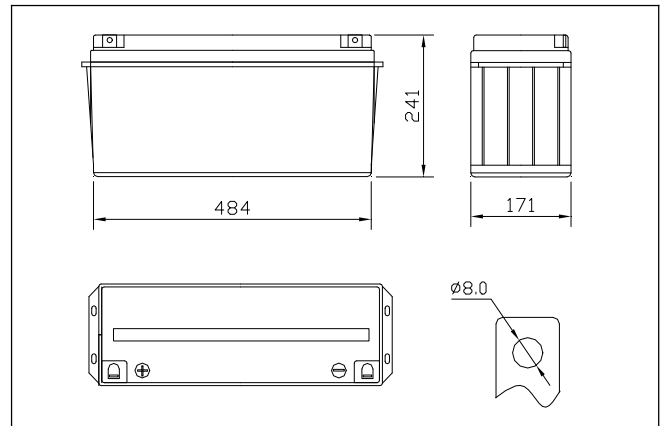
PACKAGE DETAILS

Battery (L×W×H)	mm ± 1	485×170×240
	Inch	19.1×6.74×9.49
Carton (L×W×H)	mm ± 2	507×194×312
	Inch	20.0×7.64×12.3
PCS/CTN		1 PCS

DISCHARGE



DIAMENISIONS



MATERIAL

Component	Positive plate	Negative plate	Battery case	Valve	Terminal	Separator	Electrolyte
material	PbO ₂	Pb	ABS	Rubber	Copper	AGM	Silica Gel

DISCHARGE CHARACTER

Voltage	Working time(Fix Rate discharge character 25°C 77°F)										
	3Min	5Min	15Min	30Min	45Min	1Hour	2Hour	3Hour	5Hour	8Hour	10Hour
9.6 V	6555	5700	3225	2070	1545	1119	630	473	315	210	186
10.2V	6300	4875	2895	1845	1485	1104	608	465	312	207	185
10.5V	5775	4620	2730	1680	1455	1086	585	458	308	204	182
10.8V	5280	4395	2370	1500	1410	1065	570	435	293	203	180